

Part number:

HYDROMA

HYDRAULICKÉ SYSTÉMY

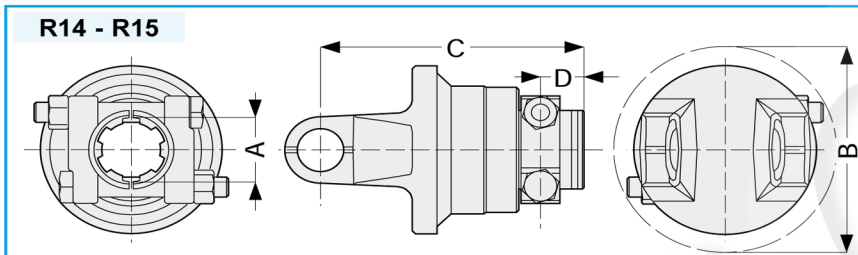
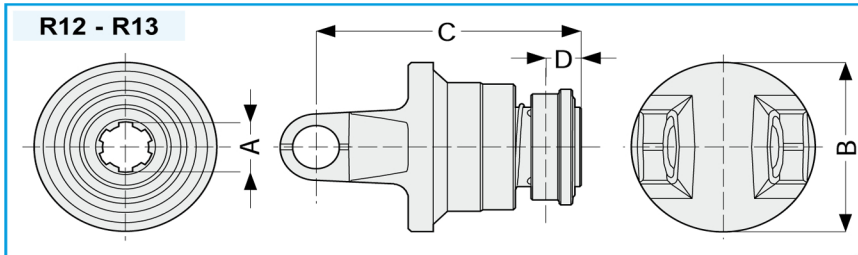
**HIDROMA
SYSTEMS**

UKŁADY HYDRAULICZNE

HYDROMA

ГИДРАВЛИЧЕСКИЕ СИСТЕМЫ

**RUOTA LIBERA
OVERRUNNING CLUTCH**



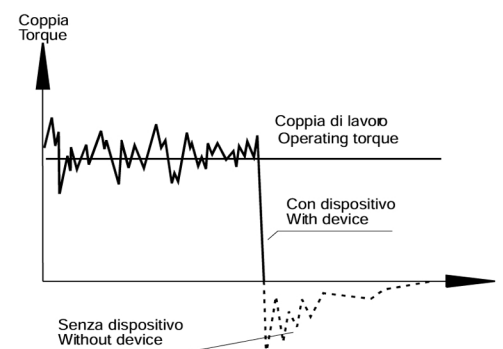
Type	Ref.	A		B		C		D		MAX		Code
		[mm]	[inch]	[mm]	[inch]	[mm]	[inch]	[mm]	[inch]	[Nm]	[in.lb]	
10	R12	1 3/8"	z.6	96	3 25/32"	141	5 35/64"	26	1 1/32"	3800	33630	145.215.011.1
	R13	1 3/8"	z.21	96	3 25/32"	141	5 35/64"	26	1 1/32"	3800	33630	145.215.012.1
20	R12	1 3/8"	z.6	96	3 25/32"	146	5 3/4"	26	1 1/32"	3800	33630	145.225.011.1
	R13	1 3/8"	z.21	96	3 25/32"	146	5 3/4"	26	1 1/32"	3800	33630	145.225.012.1
40	R12	1 3/8"	z.6	96	3 25/32"	157	6 3/16"	26	1 1/32"	3800	33630	145.245.011.1
	R13	1 3/8"	z.21	96	3 25/32"	157	6 3/16"	26	1 1/32"	3800	33630	145.245.012.1
	R14	1 3/4"	z.6	140	5 33/64"	157	6 3/16"	28	1 7/64"	3800	33630	145.245.019.1
	R15	1 3/4"	z.20	140	5 33/64"	157	6 3/16"	28	1 7/64"	3800	33630	145.245.020.1
50	R12	1 3/8"	z.6	100	3 15/16"	159	6 17/64"	26	1 1/32"	3800	33630	145.255.011.1
	R13	1 3/8"	z.21	100	3 15/16"	159	6 17/64"	26	1 1/32"	3800	33630	145.255.012.1
	R14	1 3/4"	z.6	140	5 33/64"	159	6 17/64"	28	1 7/64"	3800	33630	145.255.014.1
	R15	1 3/4"	z.20	140	5 33/64"	159	6 17/64"	28	1 7/64"	3800	33630	145.255.015.1
60	R12	1 3/8"	z.6	115	4 17/32"	167	6 37/64"	26	1 1/32"	3800	33630	145.265.011.1
	R13	1 3/8"	z.21	115	4 17/32"	167	6 37/64"	26	1 1/32"	3800	33630	145.265.012.1
	R14	1 3/4"	z.6	140	5 33/64"	167	6 37/64"	28	1 7/64"	3800	33630	145.265.017.1
	R15	1 3/4"	z.20	140	5 33/64"	167	6 37/64"	28	1 7/64"	3800	33630	145.265.019.1
80	R12	1 3/8"	z.6	127	5"	176	6 59/64"	26	1 1/32"	3800	33630	145.285.011.1
	R13	1 3/8"	z.21	127	5"	176	6 59/64"	26	1 1/32"	3800	33630	145.285.012.1
	R14	1 3/4"	z.6	140	5 33/64"	176	6 59/64"	28	1 7/64"	3800	33630	145.285.014.1
	R15	1 3/4"	z.20	140	5 33/64"	176	6 59/64"	28	1 7/64"	3800	33630	145.285.013.1

NOTA: fornibile a richiesta per senso di rotazione antiorario

Il dispositivo consente di trasmettere il moto in un solo senso di rotazione, quando il trattore aziona la macchina operatrice. Nella fase di arresto, con la PTO trattore disinserita e la macchina ancora in movimento, la trasmissione è disaccoppiata. Tale dispositivo è utile per macchine operatrici con elevata inerzia di rotazione perché, durante la fase di arresto, la PTO del trattore non viene trascinata dalla macchina operatrice.

NOTE: available upon request for anti-clockwise direction of rotation

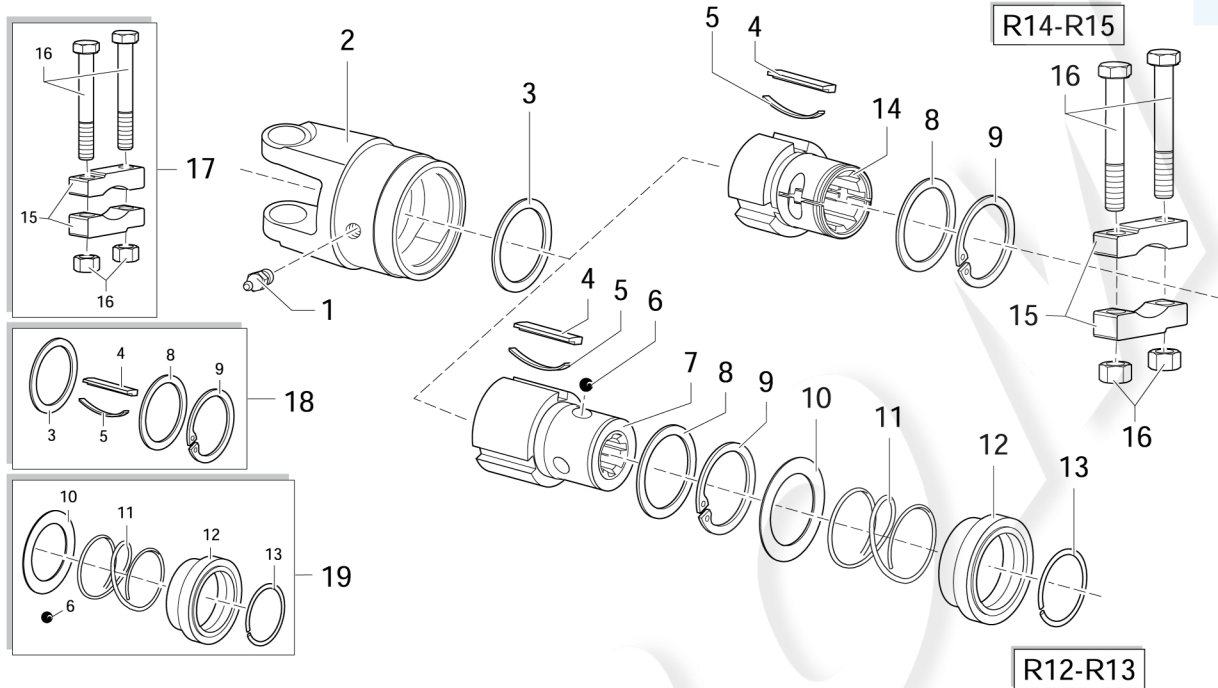
The device is used to transmit the motion in a single rotation direction, when the tractor drives the implement. During the stopping phase, with the tractor PTO disengaged and the implement still moving, the transmission is disconnected. This device is useful for operating machinery with high rotation inertia because during the stopping phase, the tractor PTO is dis-engaged from the driven machine.



RUOTA LIBERA OVERRUNNING CLUTCH



R



Pos.	Description		Code	Qty *
1	Ingrassatore M8x1	Greaser M8x1	190.000.020	1
2	Forcella corpo R (tipo 10)	Yoke support R (type 10)	141.021.210.1	1
	Forcella corpo R (tipo 20)	Yoke support R (type 20)	141.022.210.1	1
	Forcella corpo R (tipo 40)	Yoke support R (type 40)	141.024.210.1	1
	Forcella corpo R (tipo 50)	Yoke support R (type 50)	141.025.210.1	1
	Forcella corpo R (tipo 60)	Yoke support R (type 60)	141.026.210.1	1
	Forcella corpo R (tipo 80)	Yoke support R (type 80)	141.028.210.1	1
3	Distanziale	Retaining washer	190.000.199	1
4	Linguetta	Ratchet	151.014.136	3
5	Molla a balestra	Leaf spring	180.014.137	3
6	Sfera	Ball	190.000.078	3
7	Mozzo R12	Hub R12	151.016.546	1
	Mozzo R13	Hub R13	151.016.571	1
8	Anello di rasamenfo	Retaining washer ring	180.014.135	1
9	Seeger	Circlip	190.000.183	1
10	Lamierino	Spring push ring	180.015.143	1
11	Molla collar	Collar spring	180.016.487	1
12	Manicotto collar	Sliding sleeve Collar	151.016.486	1
13	Seeger	Snap ring	190.000.451	1
14	Mozzo R14	Hub R14	151.014.200	1
	Mozzo R15	Hub R15	151.018.121	1
15	Ponte di blocco	Clamp lock	151.014.201	2
16	Vite M14x1,5x100 + dado	Bolt M14x1,5x100+nut	165.000.622	2
17	Kit ponti blocco 1 3/4"	Clamp lock set 1 3/4"	165.000.692	1
18	Kit R	Kit R	166.000.547	1
19	Kit collar R12-R13	Kit Collar R12-R13	165.000.653	1